

130 Rawls Rd • Des Plaines, IL 60018-1329
www.ParkwayMetal.com



Telephone (847) 789-4000 • Fax (847) 789-4001
E-mail info@ParkwayMetal.com

PARKWAY METAL PRODUCTS, INC.

*CNC Metal Fabricating & Stamping – Laser Cutting
Railcar Parts & Sub-assemblies
Precision Pulley Flanges*



Standard Pulley Flanges Currently in Production

Thickness	0.036	0.060	0.090	0.120	0.060	0.090	0.120
Part No.	11XL	10L	14H	16XH	5MM-16	8MM-20	14MM-26
	12XL	12L	15H	18XH	5MM-17	8MM-21	14MM-28
	14XL	13L	16H	20XH	5MM-18	8MM-22	14MM-29
	15XL	14L	17H	22XH	5MM-19	8MM-24	14MM-30
	16XL	15L	18H	26XH	5MM-20	8MM-26	14MM-32
	17XL	16L	19H	27XH	5MM-24	8MM-28	14MM-33
	18XL	17L	20H	28XH	5MM-30	8MM-29	14MM-34
	19XL	18L	21H	30XH	5MM-32	8MM-30	14MM-36
	20XL	19L	22H	32XH	5MM-34	8MM-32	14MM-38
	21XL	20L	24H	36XH	5MM-36	8MM-33	14MM-40
	22XL	21L	25H	40XH	5MM-38	8MM-34	14MM-42
	23XL	22L	26H		5MM-40	8MM-35	14MM-44
	24XL	23L	27H		5MM-44	8MM-36	14MM-46
	25XL	24L	28H		5MM-48	8MM-38	14MM-48
	26XL	26L	30H		5MM-52	8MM-40	14MM-49
	27XL	27L	31H		5MM-56	8MM-44	14MM-52
	28XL	28L	32H		5MM-60	8MM-45	14MM-55
	30XL	29L	34H		5MM-62	8MM-48	14MM-56
	32XL	30L	35H		5MM-64	8MM-50	14MM-60
	34XL	31L	36H		5MM-68	8MM-56	14MM-80
	36XL	32L	37H		5MM-72	8MM-57	
	40XL	34L	38H			8MM-60	
	42XL	36L	40H			8MM-64	
	44XL	38L	42H			8MM-72	
	45XL	40L	44H			8MM-80	
	48XL	44L	45H				
	56XL	48L	47H				
	60XL		48H				
	72XL		53H				
			60H				
			69H				

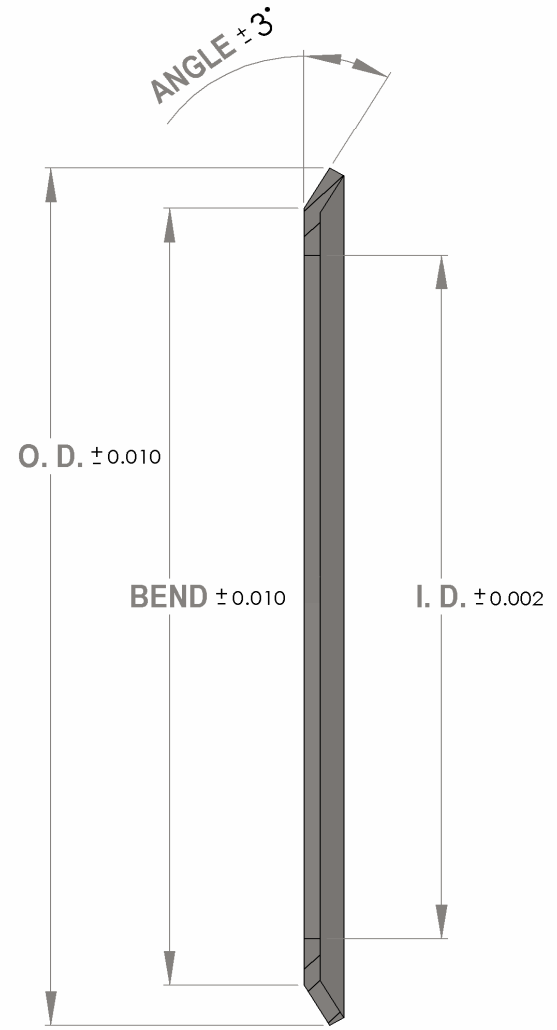
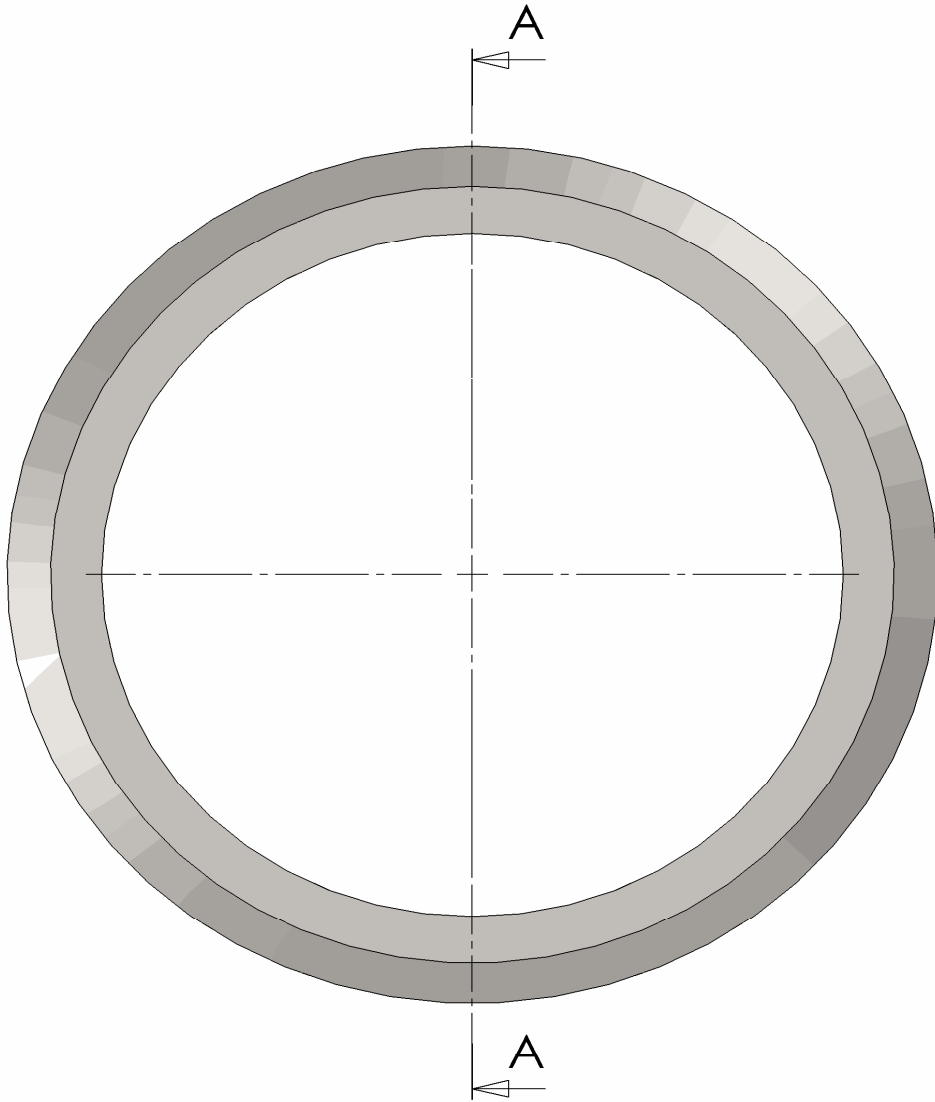
Many special sizes available.

Materials include CRS, Galv, Aluminum, Stainless Steel, Spring Steel, & Copper Alloys.

Part Number	O.D.	I.D.	Bend Dia.	Thickness
11XL	0.929	0.491	0.684	0.036
12XL	0.993	0.545	0.748	0.036
14XL	1.120	0.662	0.875	0.036
15XL	1.184	0.724	0.939	0.036
16XL	1.248	0.764	1.003	0.036
17XL	1.312	0.829	1.066	0.036
18XL	1.375	0.894	1.130	0.036
19XL	1.438	0.942	1.190	0.036
20XL	1.502	1.004	1.257	0.036
21XL	1.566	1.054	1.321	0.036
22XL	1.630	1.104	1.385	0.036
23XL	1.643	1.154	1.448	0.036
24XL	1.756	1.204	1.511	0.036
25XL	1.820	1.260	1.575	0.036
26XL	1.888	1.316	1.638	0.036
27XL	1.943	1.398	1.698	0.036
28XL	2.011	1.464	1.766	0.036
30XL	2.138	1.594	1.893	0.036
32XL	2.265	1.679	2.010	0.036
34XL	2.393	1.875	2.150	0.036
36XL	2.472	1.979	2.280	0.036
40XL	2.774	2.230	2.536	0.036
42XL	2.894	2.358	2.810	0.036
44XL	3.032	2.500	2.790	0.036
45XL	3.094	2.563	2.855	0.036
48XL	3.255	2.577	3.010	0.036
56XL	3.796	3.250	3.546	0.036
60XL	4.050	3.500	3.810	0.036
72XL	4.810	4.250	4.546	0.036
10L	1.422	0.942	1.187	0.060
12L	1.660	1.192	1.425	0.060
13L	1.780	1.223	1.545	0.060
14L	1.899	1.254	1.664	0.060
15L	2.019	1.411	1.784	0.060
16L	2.125	1.567	1.902	0.060
17L	2.256	1.661	2.022	0.060
18L	2.375	1.754	2.140	0.060
19L	2.494	1.879	2.260	0.060
20L	2.613	2.004	2.378	0.060
21L	2.733	2.129	2.498	0.060
22L	2.852	2.254	2.617	0.060
23L	2.950	2.379	2.740	0.060
24L	3.090	2.379	2.855	0.060
26L	3.328	2.692	3.093	0.060
27L	3.440	2.812	3.230	0.060
28L	3.566	2.942	3.331	0.060
29L	3.680	3.062	3.470	0.060
30L	3.805	3.067	3.570	0.060
31L	3.938	3.160	3.690	0.060
32L	4.044	3.254	3.809	0.060
34L	4.281	3.390	4.050	0.060
36L	4.520	3.629	4.285	0.060
38L	4.760	3.817	4.520	0.060
40L	4.997	4.004	4.762	0.060
44L	5.474	4.504	5.239	0.060

Part Number	O.D.	I.D.	Bend Dia.	Thickness
48L	5.950	5.004	5.715	0.060
14H	2.460	1.754	2.196	0.090
15H	2.620	2.002	2.350	0.090
16H	2.779	2.129	2.514	0.090
17H	2.940	2.254	2.650	0.090
18H	3.097	2.379	2.832	0.090
19H	3.256	2.504	2.991	0.090
20H	3.415	2.629	3.150	0.090
21H	3.574	2.817	3.309	0.090
22H	3.733	3.004	3.468	0.090
24H	4.050	3.379	3.786	0.090
25H	4.210	3.536	3.950	0.090
26H	4.370	3.629	4.104	0.090
27H	4.528	3.595	4.260	0.090
28H	4.687	3.754	4.422	0.090
30H	5.005	4.004	4.740	0.090
31H	5.164	4.379	4.900	0.090
32H	5.323	4.504	5.058	0.090
34H	5.640	4.750	5.450	0.090
35H	5.800	4.937	5.534	0.090
36H	5.959	5.067	5.694	0.090
37H	6.120	5.250	5.853	0.090
38H	6.280	5.348	6.010	0.090
40H	6.595	5.629	6.330	0.090
42H	6.750	5.750	6.550	0.090
44H	7.231	6.254	6.966	0.090
45H	7.390	6.375	7.125	0.090
47H	7.708	6.754	7.440	0.090
48H	7.867	6.879	7.602	0.090
53H	8.661	7.713	8.390	0.090
60H	9.812	8.812	9.500	0.090
69H	11.218	10.218	10.940	0.090
16XH	5.000	3.187	4.600	0.120
18XH	5.562	3.750	4.901	0.120
20XH	6.093	4.281	5.458	0.120
22XH	6.656	4.968	6.015	0.120
26XH	7.781	6.094	7.128	0.120
27XH	8.060	6.437	7.405	0.120
28XH	8.343	6.718	7.685	0.120
30XH	8.906	7.094	8.241	0.120
32XH	9.437	7.625	8.799	0.120
36XH	10.625	8.813	9.937	0.120
40XH	11.687	9.875	11.026	0.120
5MM-16	1.158	0.688	0.984	0.060
5MM-17	1.220	0.735	1.050	0.060
5MM-18	1.375	0.700	1.110	0.060
5MM-19	1.345	0.944	1.177	0.060
5MM-20	1.500	0.920	1.230	0.060
5MM-24	1.659	1.174	1.490	0.060
5MM-30	2.035	1.550	1.870	0.060
5MM-32	2.160	1.675	1.992	0.060
5MM-34	2.290	1.800	2.117	0.060
5MM-36	2.410	1.925	2.243	0.060
5MM-38	2.540	2.004	2.368	0.060
5MM-40	2.660	2.112	2.493	0.060

Part Number	O.D.	I.D.	Bend Dia.	Thickness
5MM-44	2.910	2.363	2.744	0.060
5MM-48	3.160	2.643	2.995	0.060
5MM-52	3.410	2.893	3.245	0.060
5MM-56	3.660	3.144	3.496	0.060
5MM-60	3.920	3.395	3.747	0.060
5MM-62	4.036	3.517	3.870	0.060
5MM-64	4.160	3.645	3.997	0.060
5MM-68	4.410	3.896	4.248	0.060
5MM-72	4.660	4.146	4.498	0.060
8MM-20	2.375	1.536	2.005	0.090
8MM-21	2.468	1.629	2.105	0.090
8MM-22	2.562	1.745	2.205	0.090
8MM-24	2.750	1.944	2.404	0.090
8MM-26	2.937	2.144	2.604	0.090
8MM-28	3.156	2.343	2.812	0.090
8MM-29	3.250	2.544	2.910	0.090
8MM-30	3.344	2.544	3.004	0.090
8MM-32	3.562	2.742	3.129	0.090
8MM-33	3.562	2.662	3.300	0.090
8MM-34	3.750	2.945	3.405	0.090
8MM-35	3.820	3.020	3.405	0.090
8MM-36	3.938	3.143	3.625	0.090
8MM-38	4.156	3.343	3.812	0.090
8MM-40	4.344	3.546	4.006	0.090
8MM-44	4.750	3.942	4.437	0.090
8MM-45	4.880	4.032	4.500	0.090
8MM-48	5.156	4.348	4.808	0.090
8MM-50	5.375	4.500	5.015	0.090
8MM-56	5.937	5.150	5.610	0.090
8MM-57	6.031	5.250	5.710	0.090
8MM-60	6.344	5.563	6.011	0.090
8MM-64	6.750	5.952	6.412	0.090
8MM-72	7.562	6.754	7.214	0.090
8MM-80	8.375	7.545	8.125	0.090
14MM-26	5.060	3.750	4.580	0.120
14MM-28	5.562	3.875	4.880	0.120
14MM-29	5.562	3.875	5.050	0.120
14MM-30	6.125	4.281	5.218	0.120
14MM-32	6.125	4.281	5.562	0.120
14MM-33	6.313	4.438	5.750	0.120
14MM-34	6.500	4.625	5.922	0.120
14MM-36	6.812	5.000	6.268	0.120
14MM-38	7.156	5.312	6.625	0.120
14MM-40	7.500	5.688	6.970	0.120
14MM-42	7.859	6.032	7.321	0.120
14MM-44	8.218	6.375	7.672	0.120
14MM-46	8.563	6.750	8.032	0.120
14MM-48	8.937	7.093	8.375	0.120
14MM-49	9.125	7.250	8.563	0.120
14MM-52	9.688	7.812	9.078	0.120
14MM-55	10.203	8.379	9.605	0.120
14MM-56	10.375	8.563	9.781	0.120
14MM-60	11.062	9.218	10.482	0.120
14MM-80	14.625	12.813	14.000	0.120



SECTION A-A
SCALE 1 : 1